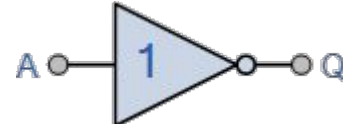
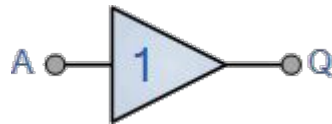
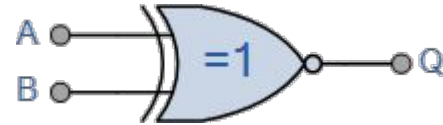
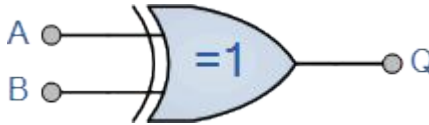
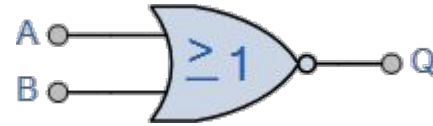
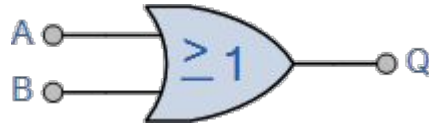
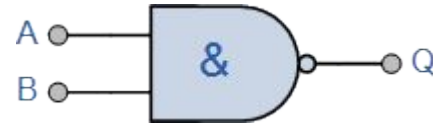
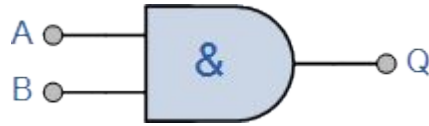


# Assembly Crash Course

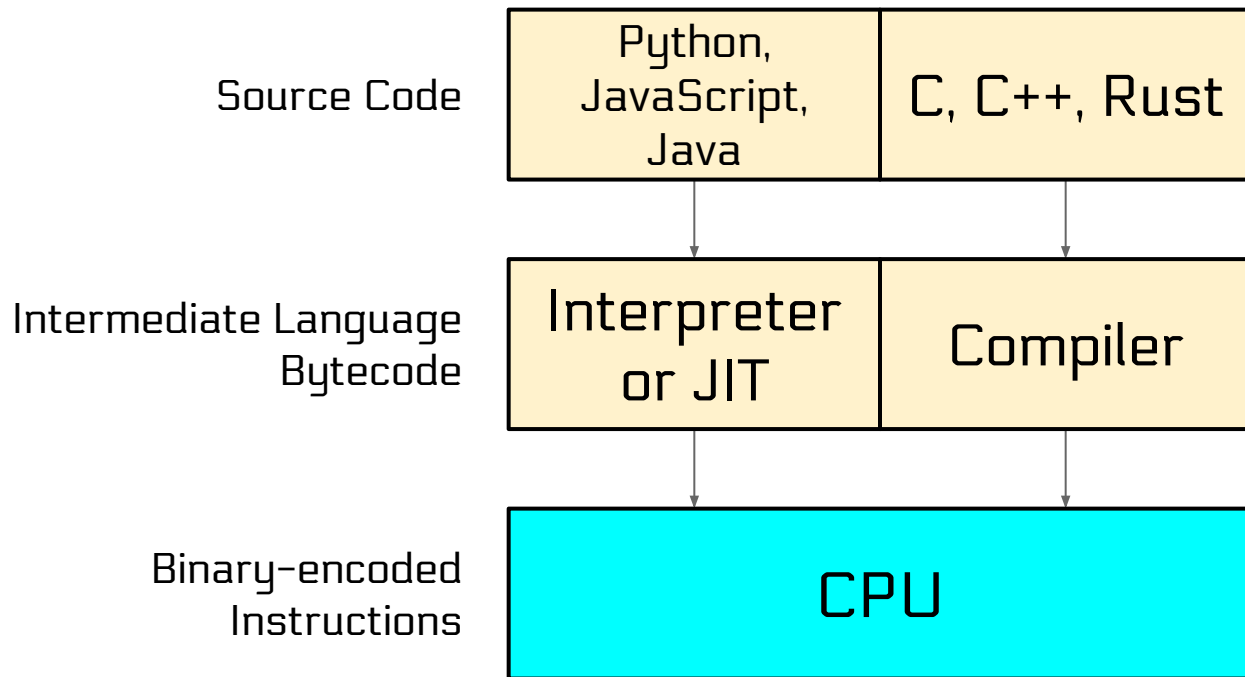
Computer Architecture

Yan Shoshitaishvili  
Arizona State University

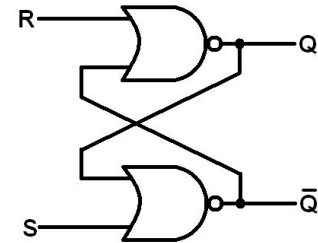
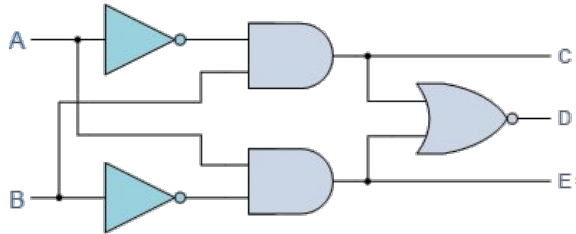
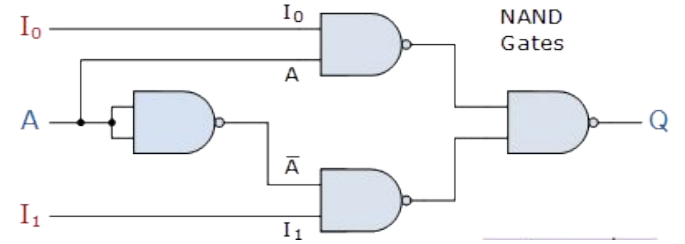
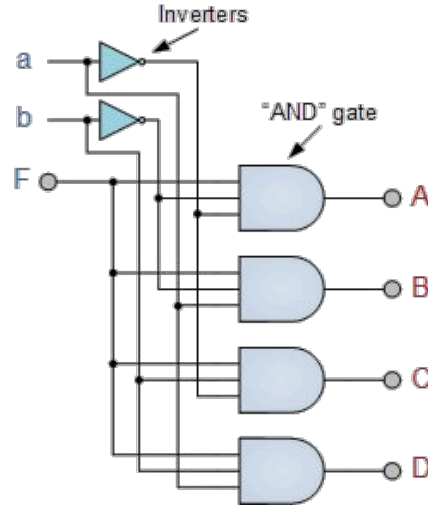
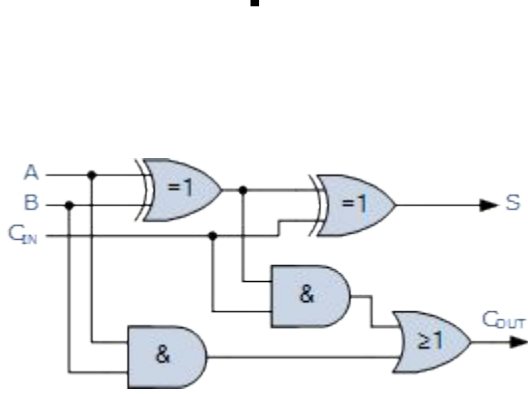
# Digging Deeper



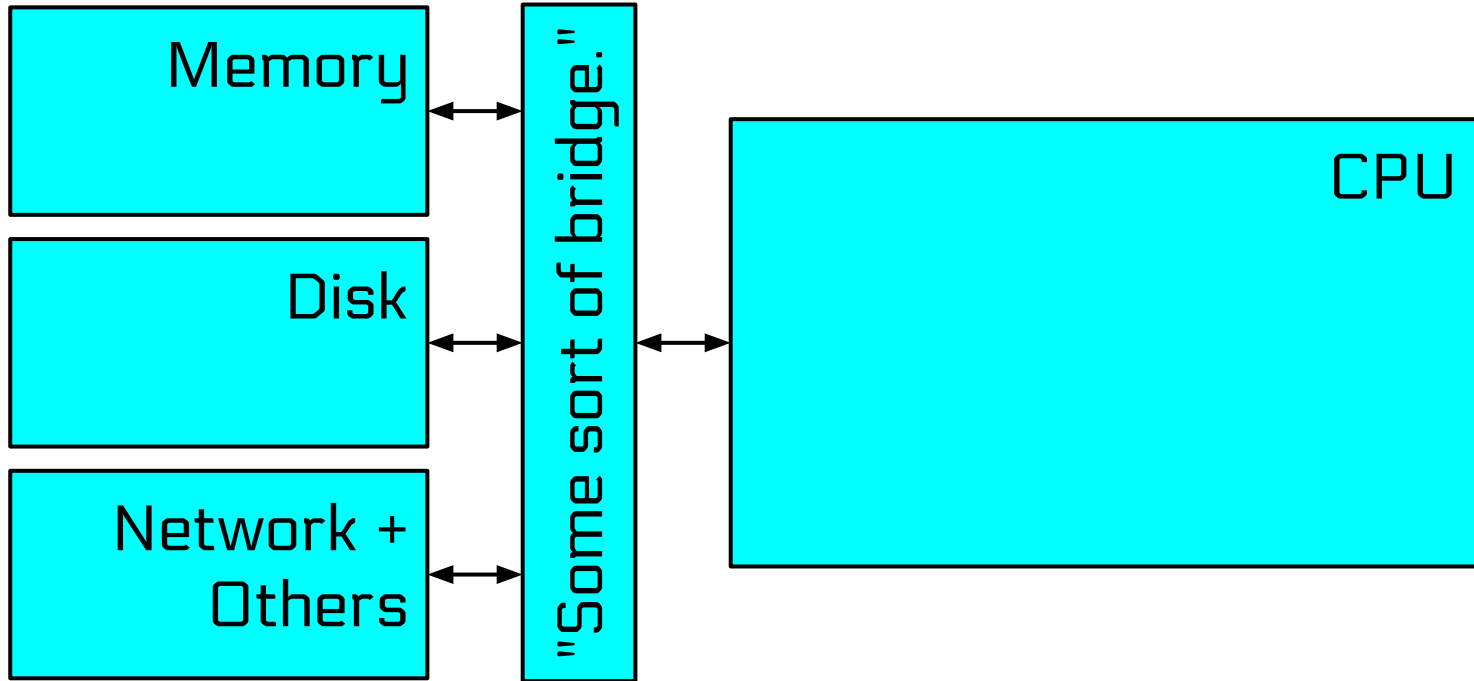
# All roads lead to the CPU



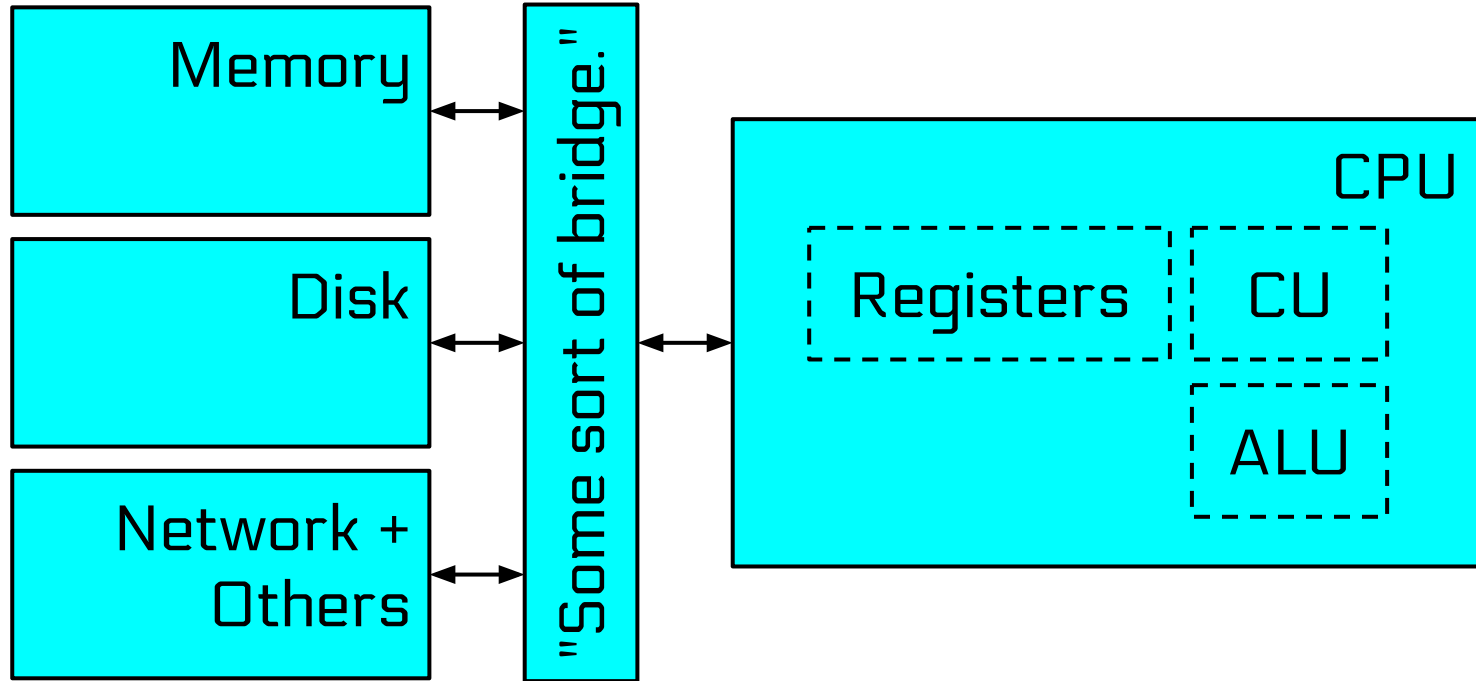
# Too deep!



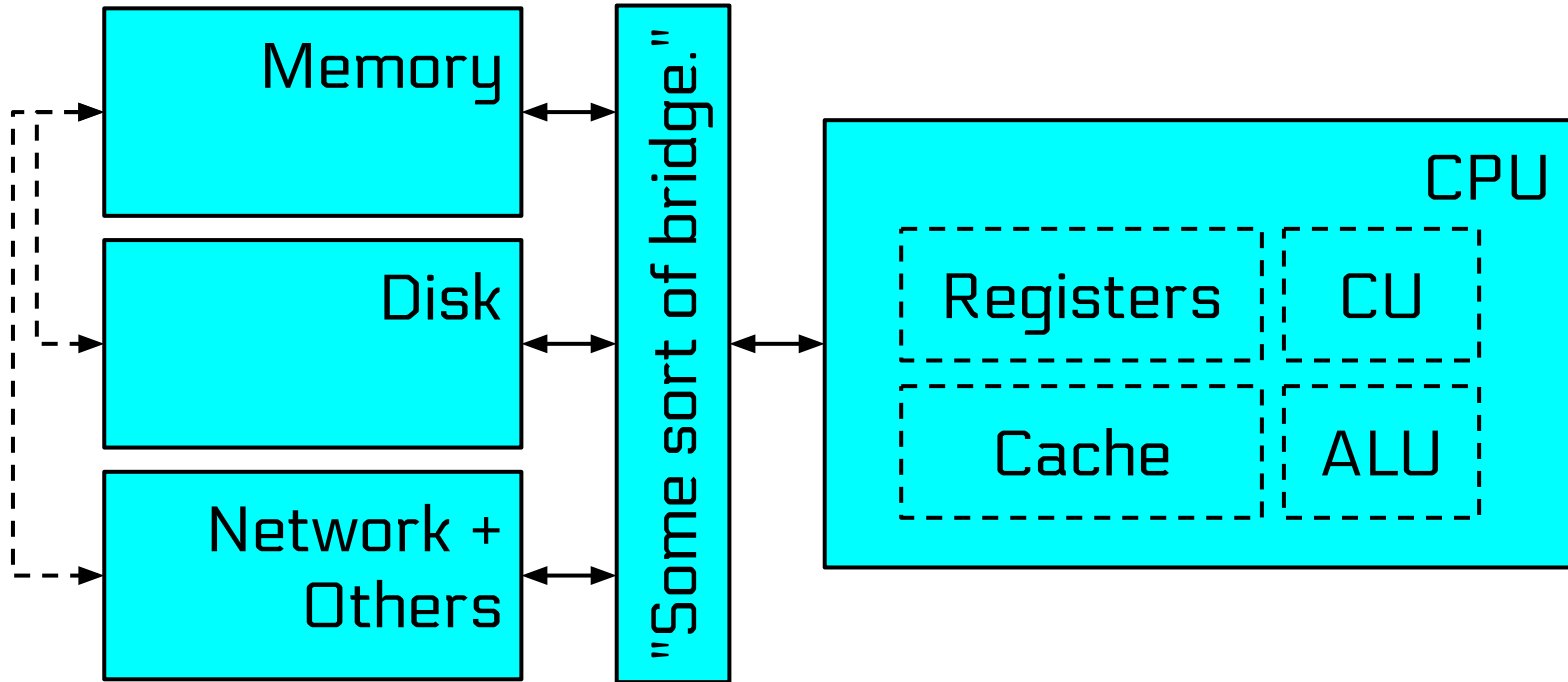
# Computer Architecture (very high level)



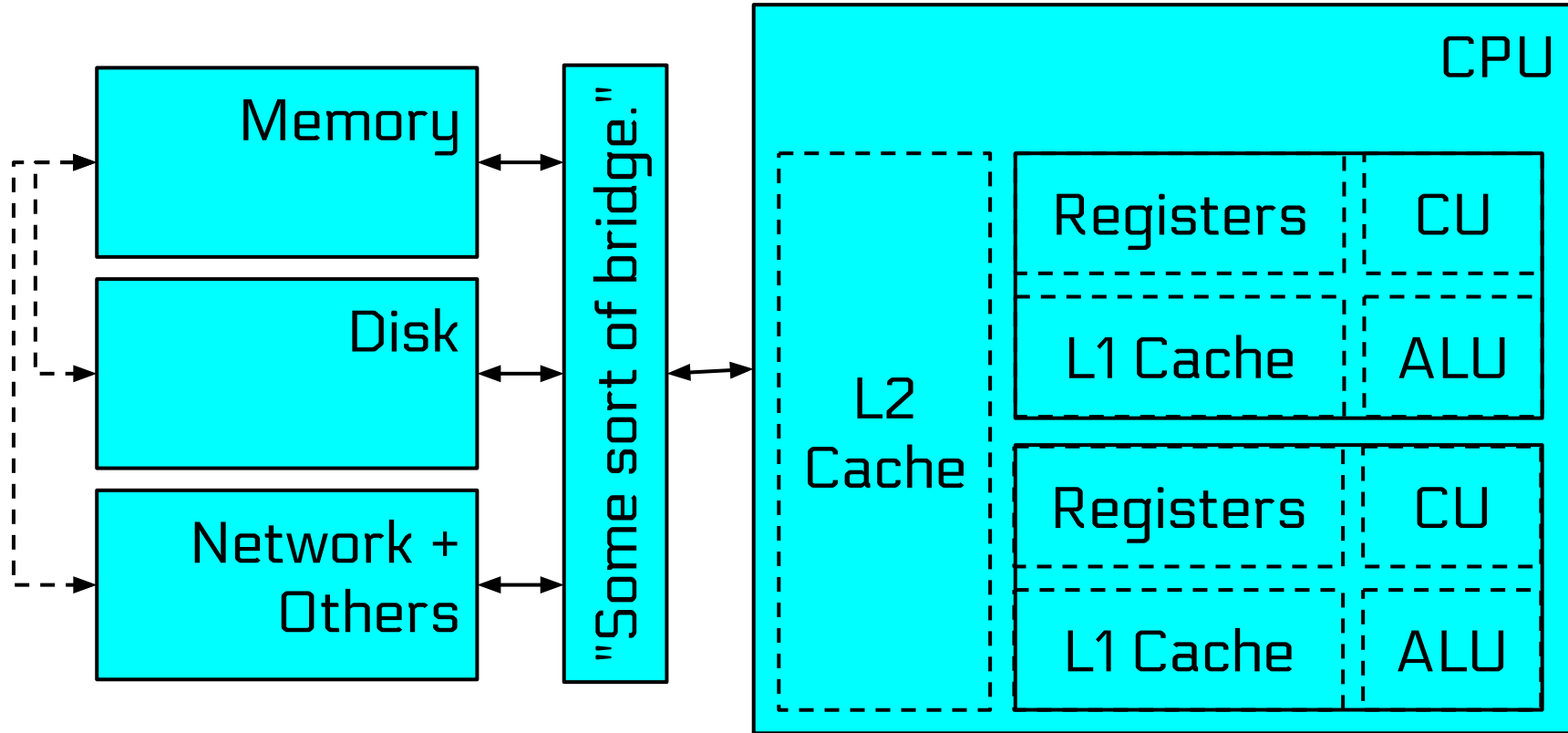
# Computer Architecture (drilling down)



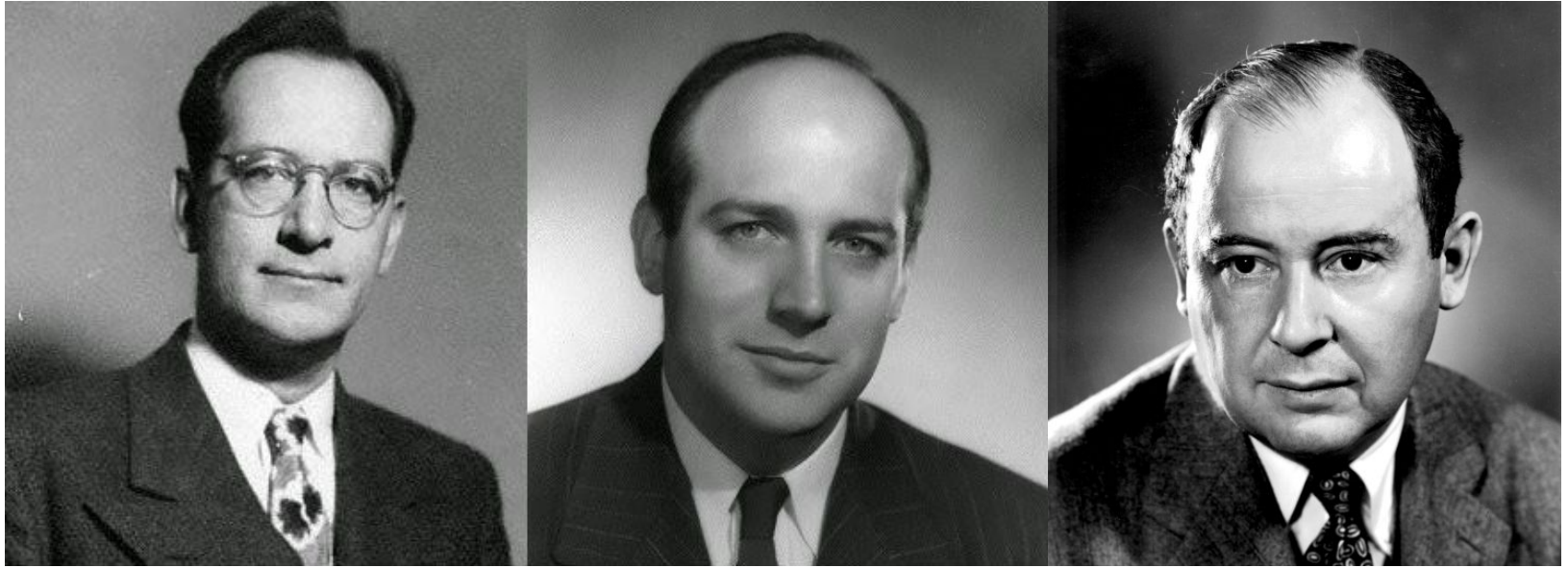
# Computer Architecture (further down!)



# Computer Architecture (as far as we'll go)







John Mauchly (Physicist), John Presper Eckert (Electrical Engineer), John Von Neumann (Mathematician)

John von Neumann, First Draft of a Report on the EDVAC, 1945.